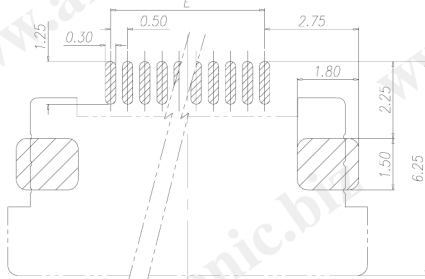
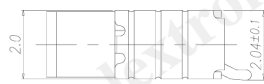
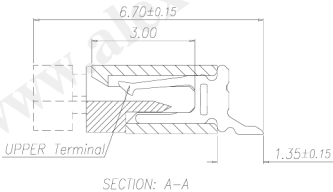
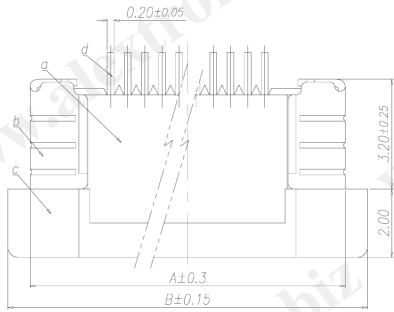


CATEGORY	DESCRIPTION	P/N #
CONNECTOR	0.5mm ZIF FPC/FPC CONNECTOR SIDE ENTRY UPPER CONTACT SMT TYPE, 40-60PIN	FCN01V-XX010-092S

FCN01V-XX010-092S
See Table 1

REV.	ECN NO	DESCRIPTION	REVISED	DATE
A01		New Release	Luguan	2009.12.08

- SPECIFICATION
- CURRENT RATING : 0.5 Amp MAX.
 - DIELECTRIC WITHSTANDING VOLTAGE : AC 500V.
 - INSULATION RESISTANCE: 50MΩ MIN.
 - OPERATING TEMPERATURE : -20°C TO +85°C.



Recommend PCB Layout
(Jack Top View)
Tolerance: ±0.05mm

See Table 1

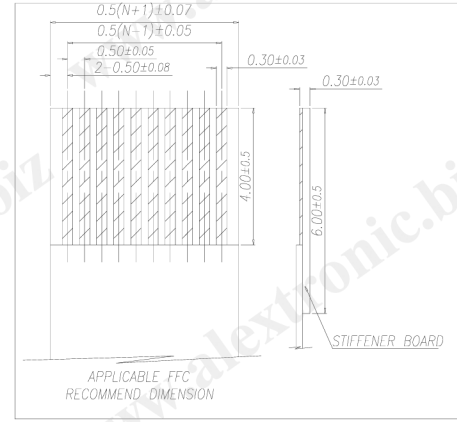


Table 1:
Pin QTY & Dimension

QTY	Dimension				
XX	A	B	C	D	E
40	24.20	25.50	19.50	20.62	19.50
41	24.70	26.00	20.00	21.12	20.00
42	25.20	26.50	20.50	21.62	20.50
43	25.70	27.00	21.00	22.12	21.00
44	26.20	27.50	21.50	22.62	21.50
45	26.70	28.00	22.00	23.12	22.00
46	27.20	28.50	22.50	23.62	22.50
47	27.70	29.00	23.00	24.12	23.00
48	28.20	29.50	23.50	24.62	23.50
49	28.70	30.00	24.00	25.12	24.00
50	29.20	30.50	24.50	25.62	24.50
51	29.70	31.00	25.00	26.12	25.00
52	30.20	31.50	25.50	26.62	25.50
53	30.70	32.00	26.00	27.12	26.00
54	31.20	32.50	26.50	27.62	26.50
55	31.70	33.00	27.00	28.12	27.00
56	32.20	33.50	27.50	28.62	27.50
57	32.70	34.00	28.00	29.12	28.00
58	33.20	34.50	28.50	29.62	28.50
59	33.70	35.00	29.00	30.12	29.00
60	34.20	35.50	29.50	30.62	29.50

d	Terminal	XX	Phosphor Bronze	TIN Plating	
c	Cover	1	PPS UL94V-0	Black	
b	Peg	2	Phosphor Bronze	TIN Plating	
a	Housing	1	PA UL94V-0	White	
NO.	PART NAME	QTY	MATERIAL	PLATING & COLOR	Remark

UNLESS OTHERWISE SPECIFIED TOLERANCES

SCALE: 1/1 UNIT: mm DWG.NO: WI-061-779

SIZE: A3 PAGE: 2 OF 2 REV: A01

DECIMALS: X : ±0.5 X.X : ±0.3 X.XX : ±0.2

ANGLES: X : ±2° X.X : ±1°

APPROVED BY: WYX CHECKED BY: PJ PREPARED BY: Luguan

CUSTOMER COPY